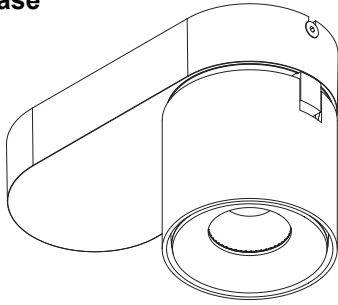


Titan Base



Instructions:

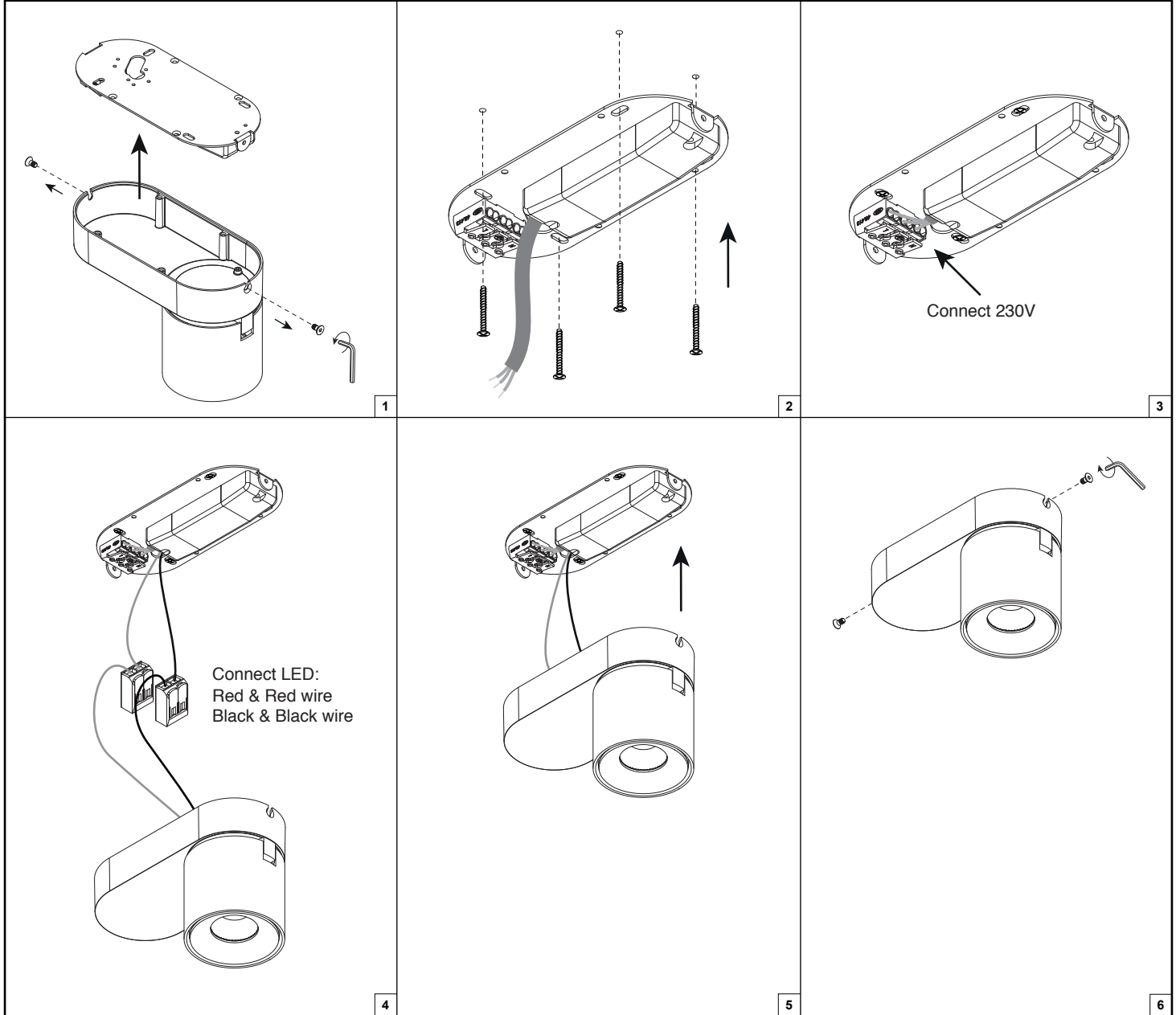
1. Remove mounting plate from bottom of luminaire
2. Pull cable through mounting plate and screw mounting plate onto ceiling
3. Connect 230V
4. Connect LED
5. Slide luminaire onto mounting plate
6. Fix luminaire to mounting plate using screws on the side

Forward voltages and nominal drive currents are mentioned on the label supplied with the product or can be found in the technical datasheet of the product.

Always use the correct driver.

Always install the driver according to the wiring schematics supplied with the driver. Always check if multi-current drivers are set to the correct output current.

Doxis Lighting Factory cannot be held responsible for damage caused by using the wrong driver.



Non dim & Mains dim

Brown		L
Yellow-Green		PE
Blue		N

1-10V dim

Grey		1-10V -
Black		1-10V +
Yellow-Green		PE
Blue		N
Brown		L

Push dim

Black		Push Btn L
Yellow-Green		PE
Blue		N
Brown		L

DALI dim

Grey		DA -
Black		DA +
Yellow-Green		PE
Blue		N
Brown		L

⚠ Attention!!

Always follow the instructions described in this document and store this document for future reference.

Do not touch LED surface. Warranty void if LED contact has taken place. Only to be installed by a qualified electrician.

Always make sure power is completely switched off when working on luminaire.

Doxis Lighting Factory NV cannot be held responsible for any damage caused by incorrect installation, modification, reparation or incorrect application/usage of the product.